



SPARX 9

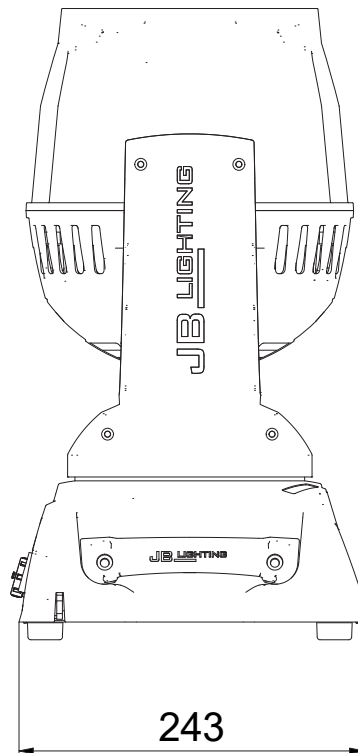
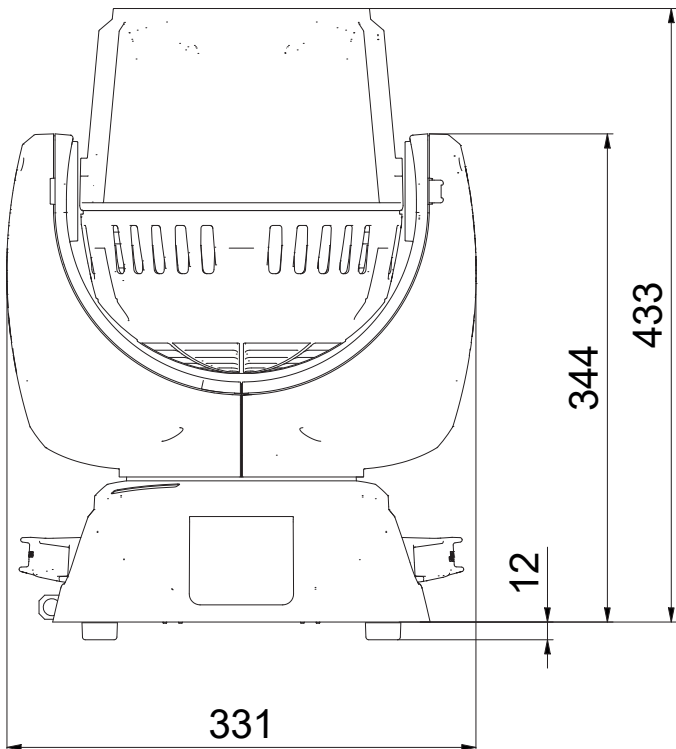
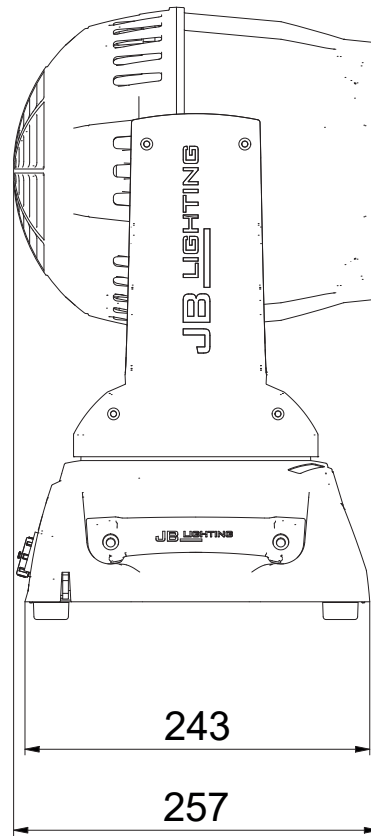
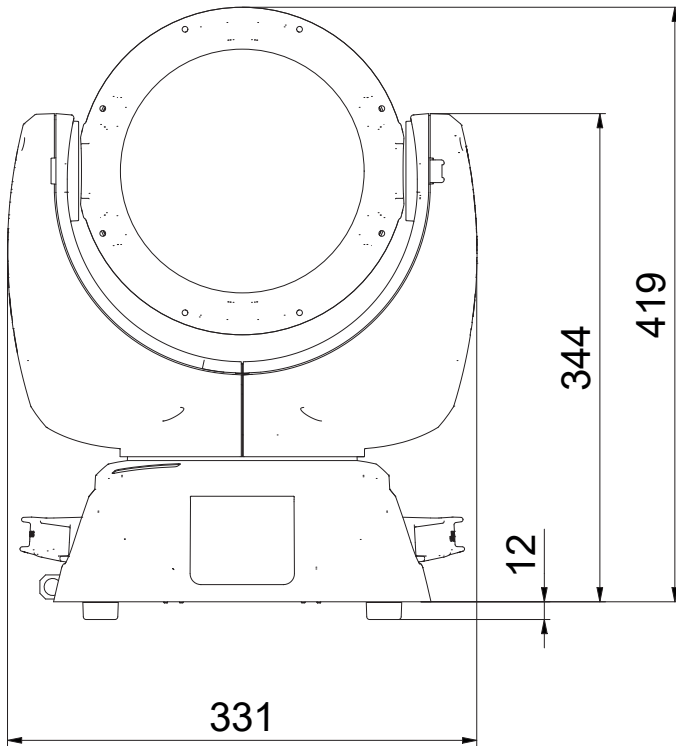
Operating instructions

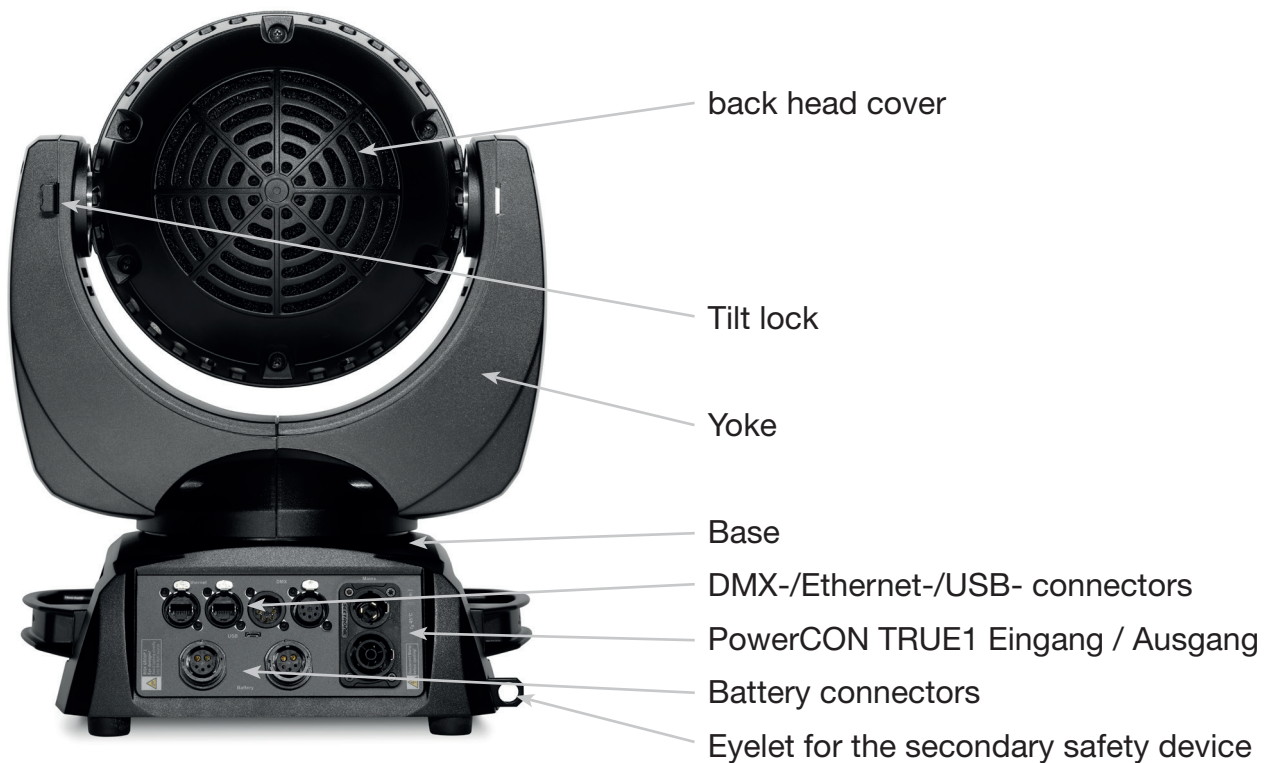
Version 1.01
Software \geq 1.0.0

Content

1. Dimensions and product overview	.04
2. Introduction	.06
2.1 Safety instructions	06
3. Installation	.08
3.1 Unpacking the device	08
3.2 Connection of the fixture to the power supply	08
3.3 Mains connection	09
3.4 Wiring the power feed-through	09
3.5 Signal connections	10
3.5.1 DMX cabling	10
3.5.2 Ethernet cabling	10
3.5.3 Wireless receiving	10
3.6 Mounting the devices	11
4. Control panel	.12
4.1 Menu overview	14
4.2 FACTORY DEFAULTS - Factory settings	17
4.3 USER DEFAULTS - User settings	17
4.4 DMX / NET ADDR - DMX addressing / Artnet addressing / sACN addressing	17
4.5 PERSONALITY - Personal settings	17
4.6 STANDALONE operation	23
4.7 INFO menu	24
4.8 Shortcuts - quick operation	24
5. Control options	.26
5.1 DMX	26
5.1.1 Overview of DMX channels Sparx 9	26
5.1.2 DMX channel assignment	28
5.1.3 Colour mixing / CTO	36
5.1.4 Control channel	36
5.1.5 Sparkle / sparkle speed	37
5.1.6 Pixel mode cross-fading (transition)	37
5.2 Artnet	38
5.3 Streaming ACN	38
5.4 Wireless-DMX	38
5.5 RDM	38
5.5.1 RDM-UID	38
5.5.2 RDM-PIDs	38
5.5.3 Standard RDM parameter IDs	39
5.5.4 Manufacturer specific RDM parameter IDs	39
5.5.5 RDM sensors IDs	40
6. Service	.41
6.1 Service menu	41
6.2 Cleaning the device	42
6.3 Software update	42
6.4 Testing of electrical equipment	42
7. Overview of error codes for all fixtures	.43
8. Specifications	.45
9. Declaration of Conformity	.46

1. Dimensions and product overview





2. Introduction



ATTENTION: For your own safety, please read these operating instructions carefully before first use.

This spotlight has left our company in excellent condition. To maintain this condition and to ensure safe operation, it is absolutely essential to observe the following safety instructions and warnings which are described in this operating manual.

The manufacturer accepts no liability for damage caused to the device by disregard of these operating instructions or unauthorised modifications.

Please note that damage caused by manual modifications to this unit is not covered by the warranty.



ATTENTION: This device is only suitable for professional use! Protection class IP 20 - only for use in dry environments (indoors)!

ATTENTION: JB-Lighting Lichtenlagentechnik GmbH does not authorise the use of its devices in life support systems. Life-supporting systems are systems whose purpose is to maintain or stabilise life and whose defect or malfunction may result in death or injury to persons.

The product in this manual complies with the following EU directives:

- Low Voltage Directive 2014/35/EU
- EMC Directive 2014/30/EU

2.1 Safety instructions



ATTENTION: Allow the device to cool down and disconnect the device from the mains before opening the device. Touching live parts (high voltage) can give you an electric shock.

Ensure that the mains voltage to be connected is not higher than that indicated on the type plate. This device should only be operated with the power source indicated on the type plate. If you are not sure what type of power supply you have, contact your dealer or power supplier.

Always disconnect the device from the power supply before carrying out cleaning work or before replacing fuses or parts.

The mains plug must always be accessible after the spotlight has been installed. Do not overload the sockets or extension cables as this could result in fire or electric shock. Do not place any objects on the power cable. Do not install the spotlight in such a way that people can trip over or step on the power cable. Make sure that the power cable can never be crushed or damaged by sharp edges. Check the unit and the power cable from time to time.

Leave maintenance work to a qualified technician!



ATTENTION: This light corresponds to protection class I. For this reason, this spotlight must be connected to a mains socket with earthing contact.

Never connect this device to a dimmer pack.

During first use, some smoke and odour may occur. This is normal and does not necessarily mean that the device is defective.

The device becomes hot during operation. Never touch the device with bare hands during operation!

When replacing fuses, only use the same types with identical values! Only have fuse replacement carried out by a qualified technician



ATTENTION: DAMAGE TO EYES! Do not look into the light source for long periods during operation. This can be harmful to the eyes. Attention: potentially hazardous radiation - Risk group 2 based on DIN EN 62471

If the device has been exposed to strong temperature fluctuations (e.g. after transport), the device must not be switched on immediately. The resulting condensation can damage your device. Leave the device switched off until it has reached room temperature.

Do not shake or knock the device. Avoid brute force during installation or operation.

This light was designed for indoor use only. Do not expose this device to rain or moisture.

When choosing a mounting location, make sure that the device is not exposed to extreme heat, moisture or dust.

Ventilation openings and slots in the head and foot of the spotlight are used for ventilation to ensure reliable operation of the device and to protect it from overheating, these openings must not be covered.

Never cover the front pane when the spotlight is in use.

The openings should never be covered with substances or other objects so that the airways are blocked.

This device must not be operated in an environment without adequate ventilation.

The device may only be operated when the housing is closed and all screws/Camlocs are firmly tightened.

The device must always be secured with an additional safety device.

Ensure that the area below the spotlight is clear during installation, alteration and removal.



ATTENTION: Allow a fixture distance of at least 0,3 meters from easily flammable material and the distance between the light emission and the surface to be illuminated must be at least 1,0 meters.

The maximum ambient temperature of 45°C must not be exceeded.



ATTENTION: The front pane must be replaced if it is visibly damaged to the extent that its function is impaired, e.g. by cracks or deep scratches!

Do not operate the device until you have become familiar with its functions. Prevent operation by persons who are not qualified to use the device. Most damage is the result of improper operation!

Please use the original packaging or specially adapted flight cases if the device is to be transported. When using the original packaging, the tilt lock must not be closed!



ATTENTION: To avoid damaging the internal parts of the light head, never let sunlight shine directly into the front pane.

3. Installation


3.1 Unpacking the device

Contents of the packaging: This spotlight, two Omega brackets with original Camloc fasteners, powerCON-TRUE1 Schuko cable and a safety note. Open the packaging at the top and remove the powerCON TRUE1 cable, the inlay and the safety instructions. The Omega brackets are located under the spotlight. Check the Sparx 9 for possible transport damage. This should be communicated immediately to the transport company.

3.2 Connection of the fixture to the power supply

The Sparx 9 is supplied with an assembled Schuko power cable with the powerCON-TRUE1 plug (only the powerCON-TRUE1 plug is included in the US version). The connection of the Sparx 9 to the power supply (100-240 volts, 50 - 60 hertz) must comply with the connection rules of the respective country.


Connection in Germany/Europe:

Wire colour	Function	Symbol
Brown	Phase	“L”
Blue	Neutral wire	“N”
Green/Yellow	Protective earth	“PE” 

Connection outside Europe:

There are different mains designs around the world. The Sparx 9 may only be operated on the following power supply systems:

	Mains		Sparx 9
2 wires, 1 phase	L N		L N PE
3 wires, 1 phase	L N L		L PE N
4 wires, 3 phases	L ₁ L ₂ L ₃ N		L N PE


 **ATTENTION:**
In Canada, the Sparx 9 may only be operated in a 2-wire, 1 phase network with a maximum voltage of 120V!

3.3 Mains connection


Connection values: Voltage 100-240 V, frequency 50 - 60 Hz, max. power 350 VA

The electrical safety and function of the device can only be guaranteed if it is connected to a properly installed protective conductor system. It is very important that this basic safety requirement is met. If in doubt, have the electrical installation checked by a specialist. The manufacturer cannot be held responsible for damage caused by a missing or interrupted protective conductor (e.g. electric shock)! Only use the device when it is completely assembled so that no electrical components can be touched. **(Danger 100-240 V)**


If you have observed the listed points, you can plug in the devices or have them connected to the mains by a specialist.

 **ATTENTION:** The Sparx 9 can light up immediately if standalone operation is activated or a DMX signal is present!

3.4 Wiring the power feed-through

 **ATTENTION:** Only have it carried out by a specialist!

The Sparx 9 has a powerCON-TRUE1 out power output. Depending on the local conditions, several devices can be linked by powerCON-TRUE1 in and powerCON-TRUE1 out. Connect a maximum of two Sparx 9 in a row when using 230V/16A. Use an approved three-core cable with a cross-section of at least 1.5 mm². Cabling must be done with the original Neutrik coded plugs. The installation instructions of the manufacturer (www.neutrik.com) and the colour coding of the cable must be observed.

Wire colour	Function	Symbol
Brown	Phase	“L”
Blue	Neutral wire	“N”
Green/Yellow	Protective earth	„N“ 

3.5 Signal connections

3.5.1 DMX cabling

The DMX cabling (signal lines) should be done with a 4-pin cable with shielding. We recommend a DMX cable (110 Ohm, 4x0.22mm²), alternatively a 2-pole micro cable can be used. The plugs and sockets are 5-pin XLR connectors, which can be purchased in specialist shops.

Pin assignment:

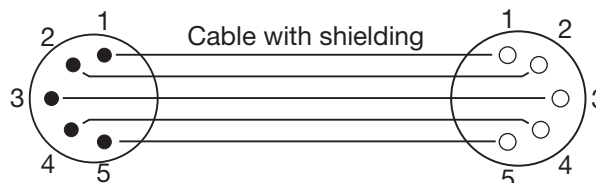
Pin1 = Ground/Shielding

Pin2 = DMX -

Pin3 = DMX +

Pin4 = not connected

Pin5 = not connected



The Sparx 9 has a DMX-in and DMX-out connector. Now connect the DMX output of your controller to the 1st Sparx 9 (controller DMX-Out -> Sparx 9 DMX-In). Then the 1st Sparx 9 to the 2nd Sparx 9 (Sparx 9 DMX-Out -> Sparx 9 DMX-In) and so on. In some cases, it is advisable to insert an end connector (XLR connector with a 120 Ohm resistor between pin 2 and pin 3). Whether an end connector is required depends on various factors, including the cable lengths used and the number of devices. However, as long as no problems occur in the DMX line, this is not necessary.

3.5.2 Ethernet cabling

Ethernet cabling can be done with standard network lines. The sockets on the device are Neutrik etherCON sockets. Special cables with etherCON connectors are recommended by Neutrik. The two sockets on the Sparx 9 are connected to each other via a switch. Up to 10 devices can be connected in series without any delay. Of course, the spotlights can also be supplied in a star configuration via an external switch. The received signal can be output via DMX. To do this, set the DMX OUTPUT CONFIG setting to ON in the PERSONALITY menu. After confirming with ENTER, the spotlight emits the entire received universe.



ATTENTION: Make sure that there is no signal at the DMX input at the same time !!

3.5.3 Wireless receiving

The Sparx 9 is equipped with a **Lumen radio** CRMX receiver for wireless DMX as standard. The receiver can process both DMX and RDM. If a cable and wireless connection are connected to the Sparx 9, the cable connection has priority! The received signal can be output via DMX. To do this, set the DMX OUTPUT CONFIG setting to ON in the PERSONALITY menu. After confirming with ENTER, the spotlight emits the entire received universe.



ATTENTION: Make sure that there is no signal at the DMX input at the same time !!

3.6 Mounting the devices



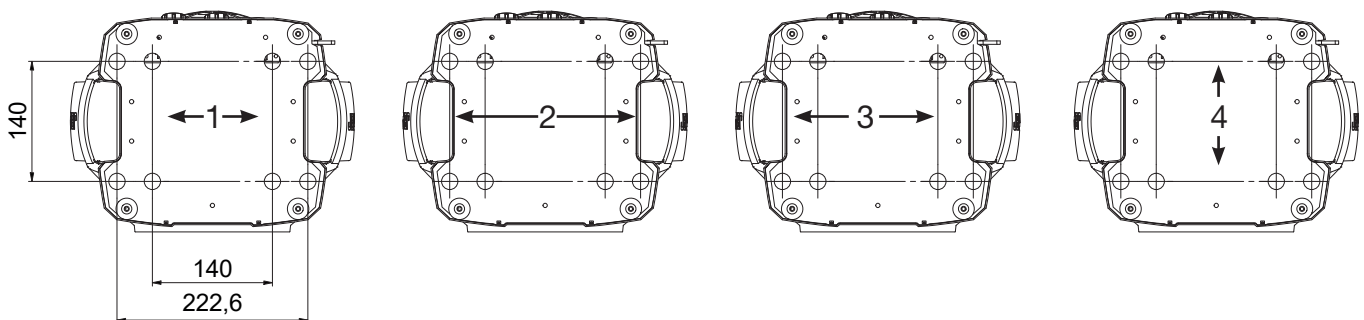
ATTENTION: Allow a fixture distance of at least 0.3 meters from easily flammable material and the distance between the light emission and the surface to be illuminated must be at least 1.0 meters.

The Sparx 9 can either be placed or suspended from a truss system in any position.

ATTENTION: Mounting horizontally to the truss system is only permitted if the omega brackets are attached to the outer camlocks. (distance 222,60mm).

If you place the device on the ground, only operate the device on a hard surface, as the air inlets in the foot must remain free!

To hang the device on a truss system, use the JB-Lighting Omega-Clamps with Camloc connectors. The Omega clamps can be mounted in the following four ways:



The Camlocs must snap in to be locked properly. Ensure that the structure (for example a truss system) to which you are attaching the fixture is secure. If you install the fixture to a hanging system (for example to a truss system) always attach a safety cable, that can hold at least 10 times the weight of the fixture. There is a corresponding eyelet on the fixture for the secondary safety device (see picture).



4. Control panel

The Sparx 9 has a graphic colour display that can be rotated 180° when installed in a suspended position. The display can be rotated in the PERSONALITY MENU or via shortcut ENTER + UP in the main screen.

All parameters of the Sparx 9 can be set on the control panel.

Function and operation of the display

The main menu provides information regarding the set DMX mode and, when the wireless mode is switched on, the field strength of the associated transmitter module. "ENTER" calls up a sub-menu or confirms an input. "ESC" is used to exit a function or a menu item. "UP" and "DOWN" are used to navigate within the menu and to enter values.



Special areas can only be called up using a specific key combination. To do this, press and hold the "ENTER" key and then use the opposite "ESC" key to access the menu. To exit the function, proceed in reverse order.

This applies in the STANDALONE area for the MODIFY, RUN and REMOTE functions.

The main menu can also be locked to prevent unintentional access. It is also locked by pressing the "ENTER" key (keep it pressed) and then additionally locking it with the opposite "ESC" key.

Display illumination as function display

The display illumination remains switched on during the reset. After the reset, slowly flashing display illumination indicates that there is no DMX signal.

Very fast flashing display illumination after the reset indicates that a new error was saved in the "ERROR LIST". This occurred during the reset or during operation. The error, e.g. PAN TIMEOUT is also shown on the display. This error is now set to "read" automatically but remains in the "ERROR LIST".

Fast flashing display illumination indicates an error that is still in the "ERROR LIST" but that has already been confirmed or confirmed automatically. The Sparx 9 only starts again without error indications once the error has been deleted from the "ERROR LIST".

If errors occur more frequently, please contact your dealer/distributor or the JB-Lighting service department.

If the Sparx 9 receives a DMX signal, the display illumination goes out after 30 seconds.

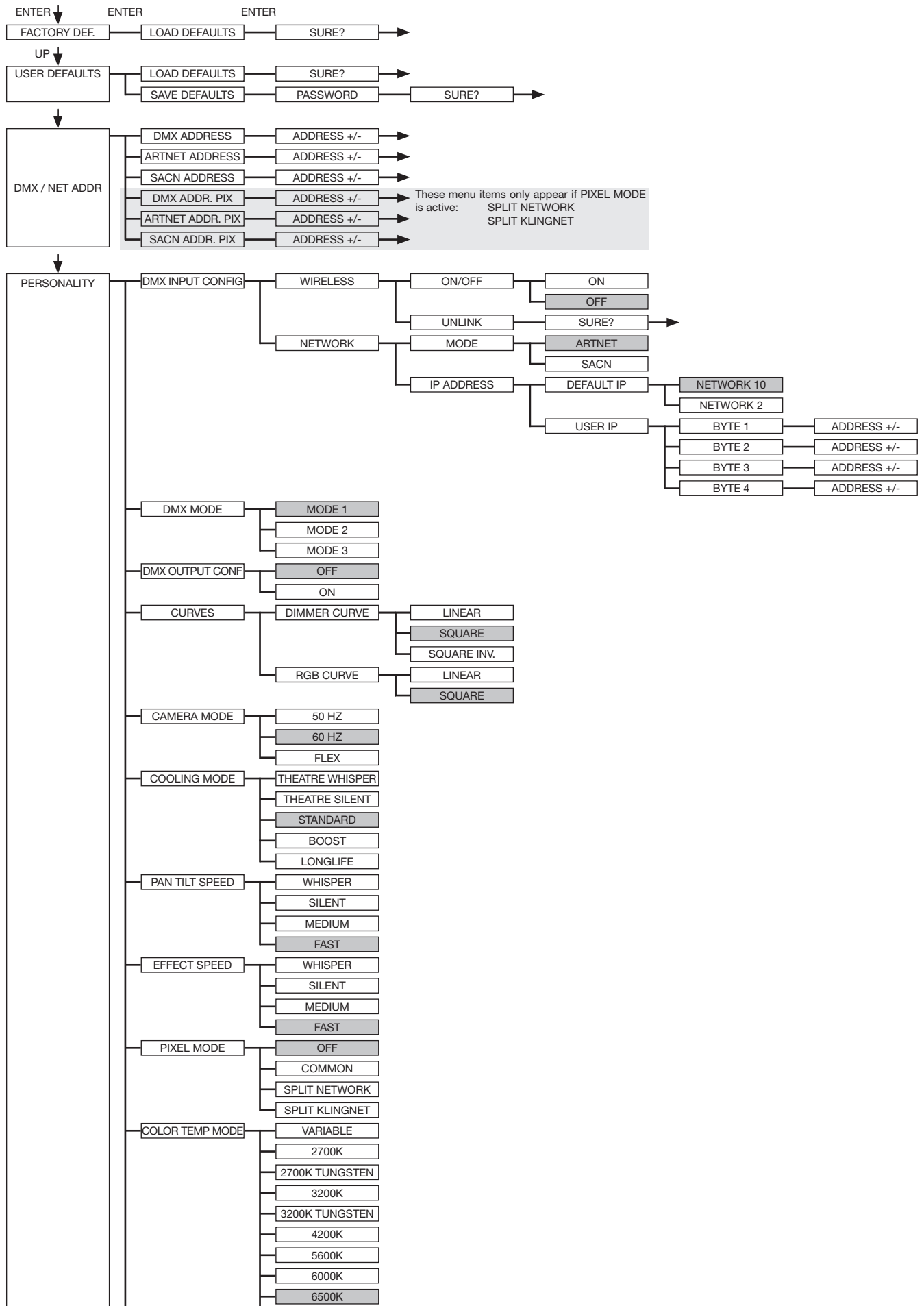
DMX addressing

In the main menu, the DMX address can be set directly by pressing the up/down keys.

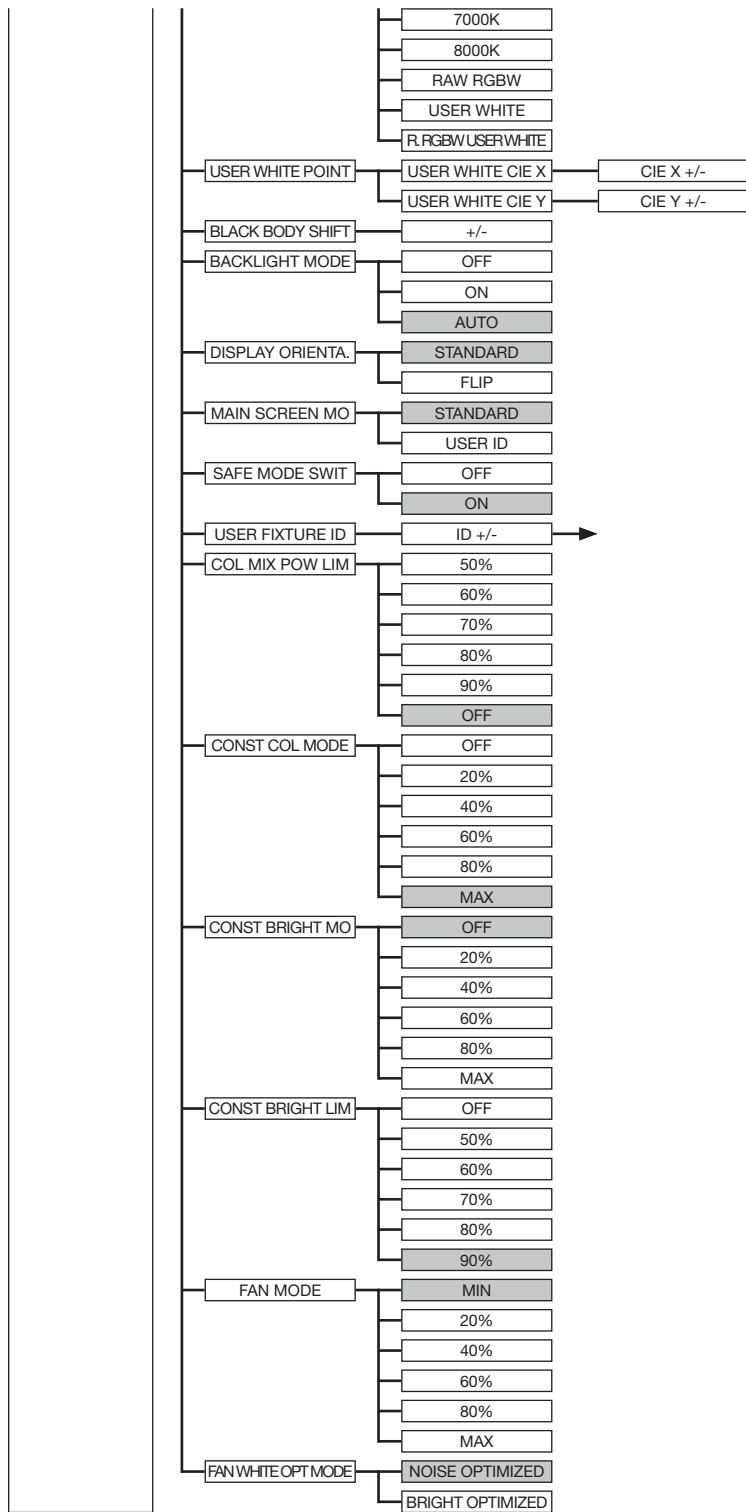
Display operation via rechargeable battery buffering

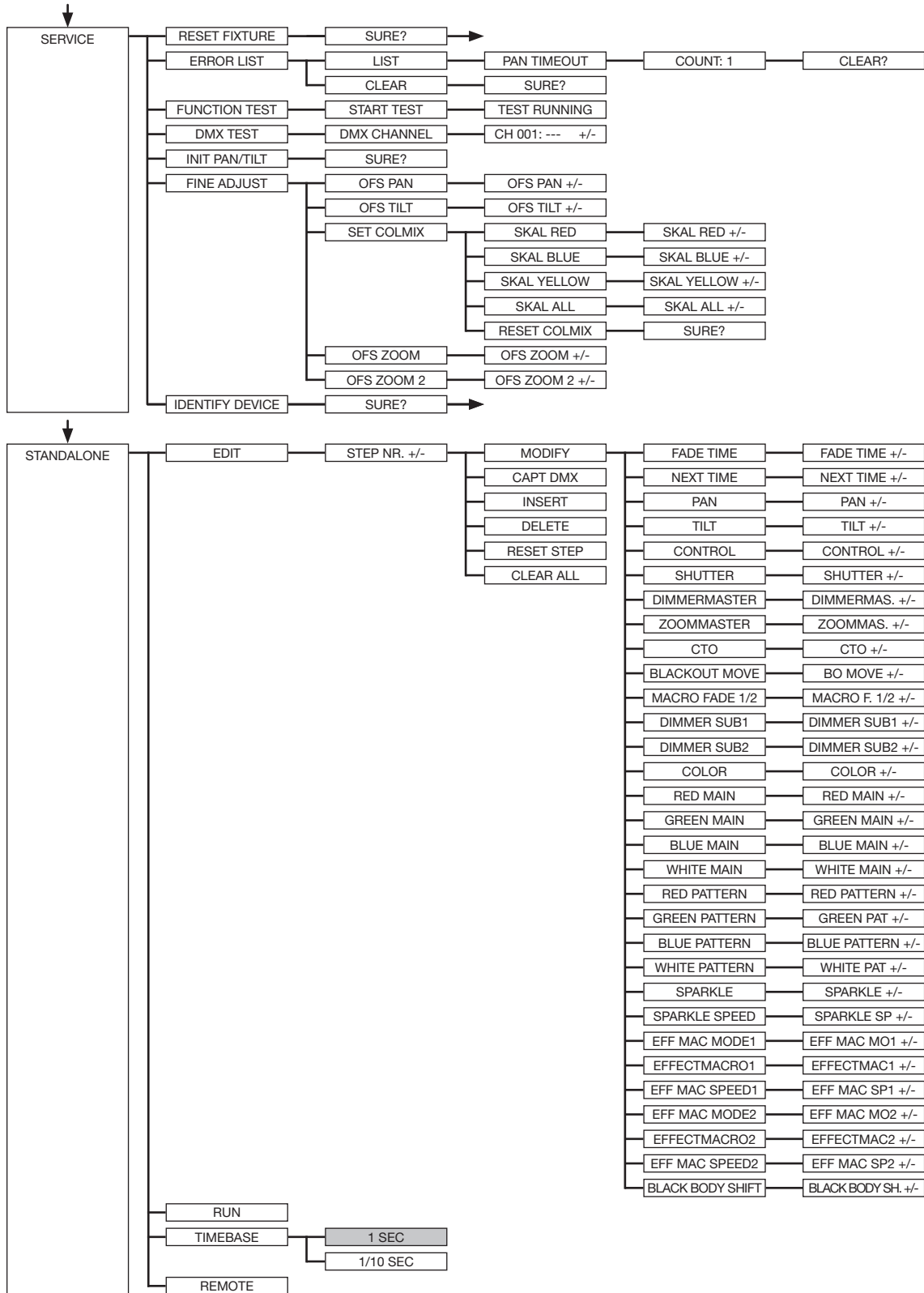
Pressing the left key below the display activates the spotlight's configuration rechargeable battery operation; the spotlight can therefore be configured without a power connection. All settings displayed in the menu can be configured, e.g. the DMX address can be set or the error list can be read.

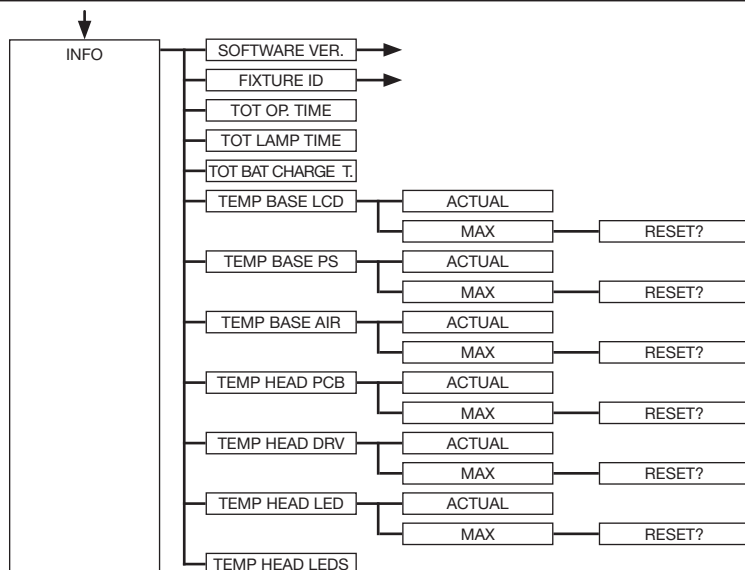
4.1 Menu overview



grey - corresponds to the default setting







4.2 FACTORY DEFAULTS - Factory settings

To reset the Sparx 9 to the factory settings, go to the menu item FACTORY DEFAULTS -> LOAD DEFAULTS. After confirming the security query SURE? by pressing the "ENTER" button for 2 seconds, all parameters are reset to the factory settings.

4.3 USER DEFAULTS - User settings

If the user has set the Sparx 9 in the PERSONALITY menu to their personal settings, these can be saved and loaded in the USER DEFAULTS menu. In order to prevent unintentional alteration of the data, you must enter the following password during the saving process: Buttons "ESC DOWN UP ENTER".

4.4 DMX / NET ADDR - DMX addressing / Artnet addressing / sACN addressing

The DMX addressing can be done either directly in the display. Press the "UP" or "DOWN" button to set the desired DMX address. The value is confirmed with the "ENTER" key. However, the DMX addressing can also be done within the menu item DMX / NET ADDR, and there under DMX ADDRESS.

To set the Artnet address, the menu item ARTNET ADDRESS must be selected in the DMX / NET ADDR menu. The Artnet address can now be set using the UP / DOWN buttons. The Artnet address is displayed in the form 000.00.00. This display corresponds to: Net.Subnet.Universum. The sACN address can then be selected in the DMX / NET ADDR -> sACN ADDRESS menu. The address can now be set using the UP / DOWN buttons. The sACN address is displayed in the form 00000.

4.5 PERSONALITY - Personal settings

The PERSONALITY menu is used for personal configuration of the spotlight. Most of these settings are also adjustable via the headlamp control channel. For this purpose, the corresponding DMX value must be sent for 2 seconds, then the headlight adopts the setting. Exempted here are the setting of the DMX smoothing these values must be permanently applied, as well as the setting of the COOLING MODE, this depends on the switch SAFE MODE SWITCH, this is on OFF the COOLING MODES can be switched directly, this is on ON additionally DIMMER and SHUTTER must get the DMX value 0. Only then can be switched.

DMX INPUT CONFIG

In this menu item the options WIRELESS and NETWORK are available.

Under WIRELESS -> ON / OFF the factory-installed radio DMX receiver module of Lumen-Radio can be activated or deactivated and via WIRELESS -> UNLINK the connection to the connected transmitter can be deleted. In order to connect the fixture to a transmitter, wireless must be set to ON on the fixture and the connection button must be pressed briefly on the transmitter. The transmitter is now looking for all fixtures where wireless is enabled and fixtures that are not connected to a transmitter. If the Sparx 9 has successfully connected to the transmitter, the display shows a level indication of the current reception quality. If the Sparx 9 is additionally connected via the DMX / etherCON connection sockets, these signals have priority over the radio link. Using the key shortcut ESC and DOWN, pressed in the main menu, the headlamp can be booked out of the booked transmitter (see page 24).

Under NETWORK -> MODE you can toggle between Artnet operation and sACN operation. For network operation, the IP address of the spotlight must be selected or set under NETWORK -> IP ADDRESS. Each headlight has a unique standard IP address.

Under IP ADDRESS -> DEFAULT IP this can be changed from the network 10.xxx.xxx.xxx to a network 2.xxx.xxx.xxx. For your own self-definable IP address, you can set your own desired IP address under IP ADDRESS -> USER-IP. This address is divided into BYTE1 to BYTE 4 and can be set one after the other.

DMX OUTPUT CONFIG - configuration of the DMX output

Under this menu item, the DMX output of the headlamp can be activated, that is a received Art-net, or wireless DMX signal can be output by activating this menu item -> ON via the DMX socket again. Make sure that there is no signal at the DMX input at the same time !!

DMX MODE - setting the DMX modes

The Sparx 9 has a 3 DMX modes (see channel assignment). Modes 1 and 2 are standard modes. Mode1 can be used to operate all Sparx 9 parameters optimally and easily. Mode 2 is the 16-bit variant of Mode 1; most channels can be adjusted more finely here. Mode 4 provides extended programming options with 96 channels.

CURVES - setting the curves for dimmer and color mixing

Dimmer curve:

The dimmer curve can be changed from exponential (square) to exponential inverse (square inv.) or linear. The dimmer curve "exponential" (factory setting) results in a softer fade-in and fade-out behaviour of the spotlight.

RGBW curve:

The RGBW curve can be changed from exponential (square) to linear. The RGB curve "exponential" (factory setting) results in a softer fade-in and fade-out behaviour of the colors.

CAMERA MODE - Sets the refresh rate of the LEDs

In order to avoid flickering during TV recordings, the Sparx 9 can be adapted to various camera systems or TV standards from 50 HZ (PAL, Secam, repetition frequency 100Hz) to 60 Hertz (NTSC, repetition frequency 120Hz). The flex mode (600Hz) is set if different camera systems are used or if recordings with mobile phone cameras or similar non-professional cameras are used. The Sparx 9 is set to 60 Hertz at the factory. The changeover is also possible with the lighting desk via the control channel.

COOLING MODE - Adjust the brightness and fan volume

In the menu item COOLING MODE the fan control and the brightness of the Sparx 9 can be adjusted. The following setting options are available.

THEATRE WHISPER: Volume 29 dB(a). In this mode, the headlight runs with the same brightness up to an ambient temperature of 45 °C; it is not necessary to increase the fan in this mode.

THEATRE SILENT: from 45° C ambient temperature, the headlight controls the fans a little bit upwards and thus remains in the same brightness.

STANDARD: starting at approx. 45 °C ambient temperature, the fans will run high to cool the LED accordingly. The brightness remains constant up to 60 °C ambient temperature.

BOOST: the fans run a bit more in this mode, from about 45 °C ambient temperature, the fans regulate again accordingly high.

LONGLIFE: The fans run a bit more in this mode, from about 45 °C ambient temperature, the fans regulate again accordingly high. We would prefer this mode for permanent installations, since the LED module is operated cooler.

There is no danger to the life of the device as the Sparx 9 has a temperature safety shutdown. In addition, the LEDs are switched off from an ambient temperature of 60 °C.

PAN TILT SPEED - Pan / Tilt speed setting

In the PAN TILT SPEED menu item you can set the maximum speed, the acceleration and thus also the movement volume of the P12. The following setting options are available.

WHISPER: The speed of Pan / Tilt is reduced so much that a volume of 29dB (A) is not exceeded.

SILENT: The speed of Pan / Tilt is slightly faster and thus louder as compared to the Whisper setting.

MEDIUM: The acceleration and deceleration ramps are set very soft so that the headlamp brakes softly and starts.

FAST: The acceleration and deceleration ramps are set very hard so that the headlamp moves very fast and directly at maximum speed.

EFFECT SPEED - Sets the effect speed

In the menu item EFFECT SPEED you can set the maximum speed, the effects and thus also the volume of the effects of the Sparx 9. The following setting options are available.

WHISPER: The speed of the effects is reduced so much that a volume of 29dB (A) is not exceeded.

SILENT: The speed of the effects is slightly faster and thus a bit louder than with the Whisper setting.

MEDIUM: The acceleration and deceleration ramps of the effects are set very soft, so that the effects are very soft and thus cause little noise.

FAST: The acceleration and deceleration ramp effects are set to maximum speed. Very fast gobo and color changes are possible!

PIXEL MODE - Sets the type of single LED drive

In the menu item PIXEL MODE you can set the type of single LED control.

OFF: The single LED control is switched off.

COMMON: The single LED control is done via DMX, thereby correspondingly Sparx 9 28 (7 Leds x 4) further DMX channels are added to DMX configuration.

SPLIT NETWORK: The single LED control is done via Artnet. No further DMX channels are used here. If Black Body Shift is set to be used via Channel the Single LED Control starts minimum 1 Address later. For example Sparx 9 is used Mode 2, Sparx 9 has now with Black Body shift channel 51 channels and the single pixel control starts at channel 52.

SPLIT KLINGNET: The single LED control is done via KLINGNET. No further DMX channels are used here.

COLOR TEMP MODE - Sets the base color temperature of the fixture

This menu item allows you to set the basic color temperature of the headlamp. The whites are exactly on the "Black Body Line". The following color temperatures and functions can be set here.

VARIABLE: The CTO channel can be used to set fixed color temperatures.

DMX 20 -> Color temperature 2000K

DMX 21-> Color temperature 2100K

etc ... to

DMX 200 -> color temperature 20000K

2700K: Color temperature 2700K

2700K TUNGSTEN: 2700K color temperature with tungsten emulation

3200K: color temperature 2700K

3200K TUNGSTEN: 3200K color temperature with tungsten emulation

4200K: color temperature 4200K

5600K: color temperature 5600K

6000K: color temperature 6000K

6500K: 6500K color temperature, this is the default color temperature

7000K: color temperature 7000K

8000K: color temperature 8000K

RAW RGBW: The spotlight works not adjusted, i.e. the individual RGBW channels can be controlled separately. However, the headlight is set by default in such a way that the headlight still keeps the colors constant. This can also be influenced by the menu items COLOR MIX POWER LIMIT, CONSTANT COLOR MODE, CONSTANT BRIGHTNESS MODE and CONSTANT BRIGHTNESS LIMIT.

USER WHITE: The spotlight works not adjusted, i.e. the individual RGBW channels can be controlled separately. However, the headlight is set by default in such a way that the headlight still keeps the colors constant. This can also be influenced by the menu items COLOR MIX POWER LIMIT, CONSTANT COLOR MODE, CONSTANT BRIGHTNESS MODE and CONSTANT BRIGHTNESS LIMIT. In this mode, the color temperature of the white LED is matched to the white LED of the A12 by adding red and green.

RAW RGBW USER WHITE: The spotlight works not adjusted, i.e. the individual RGBW channels can be controlled separately. However, the headlight is set by default in such a way that the headlight still keeps the colors constant. This can also be influenced by the menu items COLOR MIX POWER LIMIT, CONSTANT COLOR MODE, CONSTANT BRIGHTNESS MODE and CONSTANT BRIGHTNESS LIMIT. In this mode, the color temperature of the white LED is adjusted to a white tone that can be set via the menu item PERSONALITY -> USER WHITE POINT. This could be done by specifying the x/y coordinates of the desired color value.

USER WHITE POINT - Setting the white point for the RAW RGBW USER WHITE

This option allows you to set the white point for the RAW RGBW USER WHITE option. To do this, use a measuring device to measure the desired white point on any headlight and then enter the coordinates (USER WHITE CIE X/Y) in the PERSONALITY - USER WHITE POINT menu item. If the RAW RGBW USER WHITE option is now selected in the COLOR TEMPERATURE MODE, the spotlight uses the set color temperature for the white channel.

BLACK BODY SHIFT - Adjusting the green/magenta balance (+-Green)

With this option, the white point can be shifted towards green or magenta. With this option, the Sparx 9 can be adapted to "old" headlights with a green/magenta shift.

BACKLIGHT MODE - Setting the display backlight

This menu item controls the backlight of the display.

OFF: The backlight of the display is always off. The lighting only switches on when the button is pressed. Errors that are indicated by flashing are not displayed in this mode!

ON: The backlight of the display is always on.

AUTO: The backlight is switched on / off due to the action.

DISPLAY ORIENTATION - Adjusting the display orientation

This menu item turns the display orientation. The display also rotates when the ENTER and UP shortcuts are pressed in the main screen.

MAIN SCREEN MODE - main screen view

With this menu item the display of the main screen can be changed. Either the standard (STANDARD) screen is displayed with DMX address and DMX mode or the USER FIXTURE ID. This ID is used to number the headlights and to display this number in the display.

SAFE MODE SWITCH - Setting option for the mode of switching the cooling mode

With this setting it can be decided whether the changeover of the menu item COOLING MODE can be done directly "OFF" or whether for safety the dimmer and the shutter of the headlamp must be closed before switching -> "ON"

USER FIXTURE ID - Set the user fixture number

Used to set the USER FIXTURE ID (0-65535). This can be displayed via MAIN SCREEN MODE and serves as an info display of the fixture number.

COLOR MIX POWER LIMIT - Adjustment of total power consumption

This option reduces the overall power consumption. The setting options are 50% -90% power consumption or OFF -> full power.

CONSTANT COLOR MODE - Adjust color fidelity

The headlamp is configured to hold the set color / white tone to 100%, even in RAW mode. This sometimes has the result that the headlight after some time with some colors / whites in the brightness readjust something as the red LED is the most heat-sensitive LED in the system. The CONSTANT COLOR MODE lets you set the color fidelity in percent. This allows me as a user to choose whether I value color fidelity or the brightness is more important to me. This can be set from 0% - OFF to 100% - max. color fidelity.

CONSTANT BRIGHTNESS MODE - setting for constant brightness

Since the LEDs, in particular the red LED lose relatively much brightness in the event of heat, this menu item allows the headlight to be configured so that the headlight retains a predefined brightness permanently. For this purpose, the brightness is reduced from the beginning to be able to readjust according to the set color. The setting options are adjustable from 0% -100%, whereby 100% means the maximum reduction of brightness to have enough air to keep the brightness constant. 0% means that the function is switched off.

CONSTANT BRIGHTNESS LIMIT - Sets the limit for constant brightness control

This setting is used to influence the CONSTANT BRIGHTNESS MODE. If the CONSTANT BRIGHTNESS MODE is at 80% or 90%, it is ensured that with white tones the headlight has sufficient air to keep the white tone constant in the brightness. If you want to display colors with red or red colors you can use the CONSTANT BRIGHTNESS LIMIT to limit these shades in your control and thus ensure more brightness in these shades! This setting can be adjusted from 0% (Function Off) to 90% for Maximum Limit. This means that if the limit is set to 90%, the headlamp red is allowed to control by a maximum of 10%, 0% means that the limit is switched off and the headlamp is allowed to control red tones and reds to the maximum.

FAN MODE - Sets the basic volume in the selected COOLING MODE

In the selected COOLING MODE, I can use this menu item to let the fan run even faster before the regulation starts, so from the beginning the LED is cooled more and thus more brightness is achieved. Always with the background information that the headlamp keeps the colors constant.

FAN WHITE OPT MODE - Setting whether the headlight works in a noise-optimized or brightness-optimized manner

You can set whether the fixture works in brightness-optimized - BRIGHTNESS OPTIMIZED or noise-optimized - NOISE OPTIMIZED. This setting only affects standard and boost mode.

4.6 STANDALONE operation

In standalone operation, up to 10 program steps can be stored in the Sparx 9, which can then run in an endless loop. The images can be saved in two ways. Either you program the desired DMX values directly on Sparx 9 and save them, or you set the DMX values via a connected DMX console and then store them in the Sparx 9.

The menu items MODIFY, RUN and REMOTE can only be called up using a specific key combination. To do this, press and hold "ENTER", and also press "ESC". Before activating these menu items, remove all other devices in the DMX line that send DMX, e.g. consoles or other spotlights that are not configured as slave devices, as otherwise damage to the DMX drivers may occur.

Programming the standalone programme on the spotlight display:

Call up the STANDALONE, EDIT menu item. In the STEP NR+/- menu item, select the desired step and you can change it and its channel parameters in the following menu items: In the MODIFY menu item, set the desired lighting scene and position and determine the individual sequence times of the steps with FADE TIME and NEXT TIME (time for the complete step).

Use INSERT to insert an additional programming step. The DMX values of the previous step are copied to the new step.

Use DELETE to delete a step. The display shows STEP NR: 1/X. Use the selection keys to move to the desired step.

With RESET STEP you reset one step to its default values (DMX 000). The display shows STEP NR: 1/X. Use the selection keys to select your step. CLEAR ALL resets the complete standalone programming steps. Under MODIFY you will find STEP1/1 again. In the STANDALONE, TIME-BASE menu item you have the possibility to change the Fade Time and Next Time from 1 second to 1/10 second.

Accept the DMX values from an external console:

To accept the DMX values of a connected console, you must first enable the Capture DMX input. To do this, go to the CAPT DMX menu item. The display now shows CAPTURE DMX 01/01, press the Enter key to switch to STARTCAPTURE. The Sparx 9 now reacts to the signals from the external console.

Starting the standalone program:

Call up the STANDALONE menu and navigate to the RUN submenu. Confirm the selection by pressing the key combination "ENTER" (press and hold) and simultaneously "ESC". The display then shows: S-ALONE: 01/XX and the program runs in an endless loop.

Deactivation: Press and hold the "ESC" key and then also press "ENTER". The menu jumps back one level and RUN appears in the display.

Operation via master-slave function:

Connect the Sparx 9 via DMX lines and activate the REMOTE menu item for all slave devices. To do this, navigate in the STANDALONE menu to the REMOTE sub-menu. Activate the REMOTE function by pressing and holding "ENTER", and also pressing "ESC". The spotlight is in slave mode when the display shows the status REMOTE INACTIVE or REMOTE ACTIVE.

REMOTE INACTIVE: The Sparx 9 is in slave mode but does not receive a DMX signal.

REMOTE ACTIVE: The Sparx 9 is in slave mode and receives a DMX signal.

The master device is programmed via the MODIFY menu item and started via RUN (press and hold "ENTER" and also press "ESC").

4.7 INFO menu

The Info menu informs you about the respective software, the fixture id, about the total operating time and the different temperatures of the spotlight. The first two menu items in the Info area are the software version and the fixture ID, whereby the software version is an important source of information for our service requests, the fixture ID is less important source of internal information. Under the menu item TOT OPERATE TIME the complete operating time of the headlight is displayed. The menu item TOT LAMP TIME provides information about the pure operating time of the LED module. TOT BAT CHARGE TIME shows the complete charging time of the battery (battery backup). The TOT OPERATE TIME, TOT LAMP TIME and TOT BAT CHARGE TIME can not be deleted! The following temperatures are also displayed:

TEMP BASE LCD, the temperature on the display board

TEMP BASE PS, the temperature of the power supply unit

TEMP BASE AIR, the air temperature in the foot

TEMP HEAD PCB, the temperature of the head board

TEMP HEAD DRV, the temperature of the LED driver board

TEMP HEAD LED, the average temperature of the LEDs

TEMP HEAD LEDs, the individual current temperatures of the LEDs

Both the current temperature and the maximum temperature are displayed. The maximum temperatures can be individually deleted.

4.8 Shortcuts - quick operation

ESC + DOWN:

Pressing the ESC + DOWN button on the main screen will log the headlamp off the programmed Lumen Radio Wireless transmitter. The headlight is now ready to be logged in another transmitter.

ENTER + UP:

If ENTER + UP is pressed in the main screen, the screen orientation is rotated by 180 °.

ENTER + ESC

By pressing the ENTER and ESC key, the headlight is locked for user input -> LOCKED. ESC and ENTER release the lock again!

5. Control options

5.1 DMX

5.1.1 Overview of DMX channels Sparx 9

The Sparx 9 has 3 DMX modes. The respective mode can be set in the PERSONALITY -> DMX MODE menu item. The set mode is displayed in the main menu. The individual LED control can be attached to any mode PERSONALITY -> PIXELMODE

	Mode 1(M1) 32 channels	Mode 2 (M2) 46 channels	Mode 3 (M3) 21 channels
Channel 1	Pan	Pan	Pan
Channel 2	Pan fine	Pan fine	Pan fine
Channel 3	Tilt	Tilt	Tilt
Channel 4	Tilt fine	Tilt fine	Tilt fine
Channel 5	Control channel	Control channel	Control channel
Channel 6	Shutter	Shutter	Shutter
Channel 7	Dimmer (master)	Dimmer (master)	Dimmer (master)
Channel 8	Zoom (master)	Dimmer fine (master)	Zoom (master)
Channel 9	CTO	Zoom (master)	CTO
Channel 10	Blackout move	CTO	Color wheel emulation
Channel 11	Layer 1 / 2 crossfade	CTO fine	Red background color (main)
Channel 12	Dimmer sub1 (inner zone)	Blackout move	Green background color (main)
Channel 13	Dimmer sub2 (outer ring)	Layer 1 / 2 crossfade	Blue background color (main)
Channel 14	Color wheel emulation	Layer 1 / 2 crossfade fine	White background color (main)
Channel 15	Red background color (main)	Dimmer sub1 (inner zone)	Sparkle
Channel 16	Green background color (main)	Dimmer sub1 fine (inner zone)	Sparkle speed
Channel 17	Blue background color (main)	Dimmer sub2 (outer ring)	Effect macro mode Layer
Channel 18	White background color (main)	Dimmer sub2 fine (outer ring)	Effect macro Layer
Channel 19	Red foreground color (pattern)	Color wheel emulation	Effect macro speed Layer
Channel 20	Green foreground color (pattern)	Red background color (main)	Black body shift (switchable)
Channel 21	Blue foreground color (pattern)	Red background color fine (main)	Transition pixel mode
Channel 22	White foreground color (pattern)	Green background color (main)	
Channel 23	Sparkle	Green background color fine (main)	
Channel 24	Sparkle speed	Blue background color (main)	
Channel 25	Effect macro mode Layer 1	Blue background color fine (main)	
Channel 26	Effect macro Layer 1	White background color (main)	
Channel 27	Effect macro speed Layer 1	White background color fine (main)	
Channel 28	Effect macro mode Layer 2	Red foreground color (pattern)	
Channel 29	Effect macro Layer 2	Red foreground color fine (pattern)	
Channel 30	Effect macro speed Layer 2	Green foreground color (pattern)	
Channel 31	Black body shift (tint)	Green foreground color fine (pattern)	
Channel 32	Transition pixel mode	Blue foreground color (pattern)	
Channel 33		Blue foreground color fine (pattern)	
Channel 34		White foreground color (pattern)	
Channel 35		White foreground color fine (pattern)	
Channel 36		Sparkle	
Channel 37		Sparkle speed	
Channel 38		Effect macro mode Layer 1	
Channel 39		Effect macro Layer 1	
Channel 40		Effect macro speed Layer 1	
Channel 41		Effect macro mode Layer 2	
Channel 42		Effect macro Layer 2	
Channel 43		Effect macro speed Layer 2	
Channel 44		Black body shift	
Channel 45		Transition pixel mode	
Channel 46		Transition pixel mode fine	

Single pixel control Sparx 9 - 28 channels
„addable“ to every mode

Red (LED group 1)

Green (LED group 1)

Blue (LED group 1)

White (LED group 1)

Red (LED group 2)

Green (LED group 2)

Blue (LED group 2)

White (LED group 2)

Red (LED group 3)

Green (LED group 3)

Blue (LED group 3)

White (LED group 3)

Red (LED group 4)

Green (LED group 4)

Blue (LED group 4)

White (LED group 4)

Red (LED group 5)

Green (LED group 5)

Blue (LED group 5)

White (LED group 5)

Red (LED group 6)

Green (LED group 6)

Blue (LED group 6)

White (LED group 6)

Red (LED group 7)

Green (LED group 7)

Blue (LED group 7)

White (LED group 7)

5.1.2 DMX channel assignment

M1	M2	M3	Funktion	DMX
1	1	1	Pan (X) movement 540.73°	000-255
2	2	2	Pan (X) fine	000-255
3	3	3	Tilt (Y) movement 237.78°	000-255
4	4	4	Tilt (Y) fine	000-255
5	5	5	<p>Control channel To enable uniform dimming manually via faders for all light mixing consoles, 5 different settings for the DMX smoothing are available. If the DMX signal is interrupted or too few packets are sent on some DMX consoles, this channel can be used to adjust the response of the headlamp. The Minimum DMX Smoothing setting should work on most popular consoles. The values for DMX smoothing must be permanently applied. For the other values such as Cooling Mode, Color Temperature, Zoom Modes the values must be present for 2 seconds, then the device will be permanently switched over. The exception is the setting of the COOLING-MODE, here it depends on the switch SAFE MODE SWITCH, if it is on OFF the COOLING-MODES can be switched directly, if this is ON the DIMMER and SHUTTER must get the DMX-value 0. Only then can be switched.</p> <p>Setting for minimal DMX smoothing (A dimmed shutter sequence is possible) Dimmer fade out via fader (fast - slow) Not used</p> <p>Setting for minimum / medium DMX smoothing Dimmer fade out via fader (fast - slow) Not used</p> <p>Setting for medium DMX smoothing Dimmer fade out via fader (fast - slow)</p> <p>Color Mix Power Limit - Sets the total power consumption 50% 60% 70% 80% 90% Off</p> <p>Constant Color Mode - Adjust color fidelity Off 20% 40% 60% 80% Max</p> <p>Constant Brightness Mode - setting for constant brightness control Off 20% 40% 60% 80% Max</p>	<p>000-007</p> <p>008-031</p> <p>032-039</p> <p>040-063</p> <p>064-071</p> <p>072-072</p> <p>073-073</p> <p>074-074</p> <p>075-075</p> <p>076-076</p> <p>077-077</p> <p>078-078</p> <p>079-079</p> <p>080-080</p> <p>081-081</p> <p>082-082</p> <p>083-083</p> <p>084-084</p> <p>085-085</p> <p>086-086</p> <p>087-087</p> <p>088-088</p> <p>089-089</p>

	Constant Brightness Limit - Sets the limit for constant brightness control	
	off	090-090
	50%	091-091
	60%	092-092
	70%	093-093
	80%	094-094
	90%	095-095
	Setting for medium/maximum DMX smoothing	
	Dimmer fade out via fader (fast - slow)	096-103
	BACKLIGHT MODE - Display backlight configuration	
	AUTO - the fixture controls the backlight automatically	104-104
	ON - the backlight is always on	105-105
	OFF - the backlight is always off until a key is pressed	106-106
	DISPLAY ORIENTATION - display flip or not	
	STANDARD - the display can be read when the headlamp is on a surface	107-107
	FLIP - the display orientation is rotated by 180 °, hanging readable	108-108
	not used	109-109
	MAIN SCREEN MODE - view of the main screen	
	STANDARD - the main screen displays the DMX address, the DMX mode, and when wireless is enabled, the field strength.	110-110
	USER FIXTURE ID - the main screen displays the user definable fixture ID / headlight number	111-111
	not used	112-112
	USER FIXTURE ID SET - set fixture ID	
	the USER ID can be set. The headlamp takes the 16-bit value of Pan for the fixture id	113-113
	USER CIE - set the white color of RAW RGB USER WHITE	
	USER CIE X - The headlamp takes the 16-bit value of Pan for the USER CIE X	114-114
	USER CIE Y - The headlamp takes the 16-bit value of Pan for the USER CIE Y	115-115
	BLACK BODY SHIFT - set of green shift	
	BLACK BODY SHIFT - The headlamp takes the 16-bit value of Pan for the BLACK BODY SHIFT. Values from -99 to +99 (DMX values 0 to 65535, 32768 is no shift)	116-116
	not used	117-127
	Setting for maximum DMX smoothing	
	Dimmer fade out via fader (fast - slow)	128-135
	DIMMER CURVE - selection of dimmer curve	
	LINEAR - linear dimmer curve	136-136
	SQUARE - exponential dimmer curve	137-137
	SQUARE INVERSE - exponential inverse dimmer curve	138-138
	not used	139-139
	RGBW(Y) CURVE - selection of RGBW(Y) curve	
	LINEAR - linear frost curve	140-140
	SQUARE - exponential RGB(Y) curve	141-141
	not used	142-142
	PAN/TILT SPEED - selection of PAN/TILT speed	
	WHISPER	146-146
	SILENT	147-147
	MEDIUM	148-148
	FAST	149-149

	<p>EFFECT SPEED - selection of effect speed</p> <p>WHISPER 150-150 SILENT 151-151 MEDIUM 152-152 FAST 153-153 Not used 154-156</p> <p>FAN WHITE OPT MODE - work with optimized noise or brightness</p> <p>Noise-optimized operation (only for boost and standard mode) 157-157 Brightness-optimized work (only for boost and standard mode) 158-158 not used 159-159</p> <p>COOLING MODE - adjust the fan volume and brightness</p> <p>This takes place with dimmer / shutter set to closed (DMX 000) then after 2 seconds the fixture will switch this option, except the switch "SAFE MODE SWITCH" in the PERSONALITY menu is set to OFF, then the changeover can take place directly without dimmer and shutter having to be closed.</p> <p>THEATRE WHISPER 160-160 THEATRE SILENT 161-161 STANDARD 162-162 BOOST 163-163 LOGLIFE 164-164 not used 165-169</p> <p>COLOR TEMPERATURE - adjustment of the color temperature of the fixture</p> <p>Color temperature 2000K (CTO 2000K - 20000K) 170-170 Color temperature 2700K (CTO 2700K - 2700K) 171-171 Color temperature 2700K tungsten dim out 172-172 Color temperature 3200K (CTO 3200K - 2700K) 173-173 Color temperature 3200K tungsten dim out 174-174 Color temperature 4200K (CTO 4200K - 2700K) 175-175 Color temperature 5600K (CTO 5600K - 2700K) 176-176 Color temperature 6000K (CTO 6000K - 2700K) 177-177 Color temperature 6500K (CTO 6500K - 2700K) 178-178 Color temperature 7000K (CTO 7000K - 2700K) 179-179 Color temperature 8000K (CTO 8000K - 2700K) 180-180 RAW RGBW 181-181 USER WHITE 182-182 RAW RGBW USER WHITE 183-183 Not used 184-189</p> <p>FAN MODE - Sets the basic volume in the selected COOLING MODE</p> <p>min 190-190 20% 191-191 40% 192-192 60% 193-193 80% 194-194 Max 195-207</p> <p>Camera mode - Sets the LED refresh rate</p> <p>Camera Mode, 50Hz (after 2 seconds) 208-215 Camera Mode, 60Hz (after 2 seconds) 216-223 Camera Mode, FLEX 600Hz (after 2 seconds) 224-231 Not used 232-239</p> <p>RESET - Performing a complete fixture reset</p> <p>Reset (after 2 seconds) 240-247 Not used 248-255</p>	
--	---	--

6	6	6	Shutter Shutter closed Shutter open Shutter pulse opening >10Hz (0,6 sec - 4,8 sec) Shutter open Fade effect with dimmer (slow - fast) Shutter open Shutter closed Shutter pulse opening <10Hz (0,6 sec - 4,8 sec) Shutter open Shutter pulse closing (0,6 sec - 4,8 sec) Shutter closed Shutter fade, 0% (0,6 sec - 4,8 sec) Shutter open Shutter fade, 100% (0,6 sec - 4,8 sec) Shutter closed Shutter random 100% (0,6 sec - 4,8 sec) Shutter open Shutter random 0% (0,6 sec - 4,8 sec) Shutter closed Shutter random fade 0% (0,6 sec - 4,8 sec) Shutter open Shutter random fade 100% (0,6 sec - 4,8 sec) Shutter open	000-015 016-095 096-110 111-111 112-125 126-126 127-127 128-142 143-143 144-158 159-159 160-174 175-175 176-190 191-191 192-206 207-207 208-222 223-223 224-238 239-239 240-254 255-255
7	7	7	Dimmer 0 - 100%	000-255
	8		Dimmer fine 16Bit	000-255
8	9	8	Zoom 0-100% (master, narrow 3° - wide 70°)	000-255
9	10	9	CTO 0 - 100%	000-255
	11		CTO fine 16Bit	000-255
10	12		Blackout Move Not used Selection of segments for shutter effects in link with the shutter channel Not used Blackout at pan/tilt Blackout on color change Not used Blackout at pan/tilt and color change The fade time of the dimmer can be set from slow to 5sec - max.	000-000 001-070 071-095 096-127 128-159 160-223 224-255
11	13		Crossfade layer 1/2 0 - 100%	000-255
	14		Crossfade layer 1/2 fein 16Bit	000-255
12	15		Dimmer sub1 0 - 100% (inner zone)	000-255
	16		Dimmer sub1 fine 16Bit (inner zone)	000-255
13	17		Dimmer sub2 0 - 100% (outer ring)	000-255
	18		Dimmer sub2 fine 16Bit (outer ring)	000-255

14	19	10	Color wheel emulation Inactive, color mixing only via RGB White (according to color temperature setting headlights) White / red Red Red / yellow Yellow Yellow / magenta Magenta Magenta / green Green Green / orange Orange Orange / blue Blue Blue / turquoise Turquoise Turquoise / white White 2700 Kelvin White 2700 Kelvin, tungsten dimming White 3200 Kelvin White 3200 Kelvin, tungsten dimming White 4200 Kelvin White 5600 Kelvin White 6000 Kelvin White 6500 Kelvin White 7000 Kelvin White 8000 Kelvin Color change effect (fast - slow) Color change effect (stop) Color change effect (fast - slow)	000-000 001-003 004-007 008-011 012-015 016-019 020-023 024-027 028-031 032-035 036-039 040-043 044-047 048-051 052-055 056-059 060-063 064-064 065-065 066-066 067-067 068-068 069-069 070-070 071-071 072-072 073-191 192-222 223-224 225-255
15	20	11	Red background color (main) 0-100%	000-255
	21		Red background color (main) fine 16 Bit	000-255
16	22	12	Green background color (main) 0-100%	000-255
	23		Green background color (main) fine 16 Bit	000-255
17	24	13	Blue background color (main) 0-100%	000-255
	25		Blue background color (main) fine 16 Bit	000-255
18	26	14	White background color (main) 0-100%	000-255
	27		White background color (main) fine 16 Bit	000-255
19	28		Red foreground color (pattern) 0-100%	000-255
	29		Red foreground color (pattern) fine 16 Bit	000-255
20	30		Green foreground color (pattern) 0-100%	000-255
	31		Green foreground color (pattern) fine 16 Bit	000-255
21	32		Blue foreground color (pattern) 0-100%	000-255

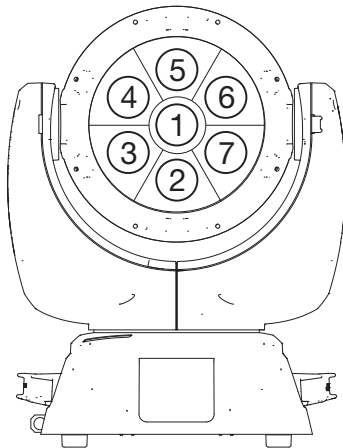
	33		Blue foreground color (pattern) fine 16 Bit	000-255
22	34		White foreground color (pattern) 0-100%	000-255
	35		White foreground color (pattern) fine 16 Bit	000-255
23	36	15	Sparkle - glitter effect Sparkle effect inactive Sparkle effect intensity (minimum - maximum)	000-000 001-255
24	37	16	Sparkle speed Sparkle effect Faded (slow -> fast) Switched (slow -> fast) Sparkle effect color neutral Faded (slow -> fast) Switched (slow -> fast) Not used	000-015 016-031 032-047 048-063 064-255
25	38	17	Effect macro mode layer 1 Color set 1 Effects faded Effects switched Effects forward crossfaded (crossfade over effect macro speed DMX 000 <-> 255) Effects backward crossfaded (crossfade over effect macro speed DMX 000 <-> 255) <u>Regular interval:</u> Effect random flash fast Effect random snap open / ramp close Effect random flash slow Effect random ramp open / snap close <u>Random interval:</u> Effect random flash fast Effect random snap open / ramp close Effect random flash slow Effect random ramp open / snap close Not used From DMX 32 color set 2, from DMX 64 color set 3, from DMX 96 color set 4	000-000 001-001 002-002 003-003 004-004 005-005 006-006 007-007 008-008 009-009 010-010 011-011 012-031
26	39	18	Effect macro layer 1 Macros switched off Static color effects - fixture 2 colors Inner zone - background color (main) Outer ring - foreground color (pattern) Color wheel emulation overwrites background color (main) Beam fixture 2 colors segment shutter complete fixture Beam fixture 2 colors segment shutter inner zone Beam fixture 2 colors segment shutter outer ring Beam fixture 2 colors segment shutter off Color wheel emulation overwrites foreground color (pattern) Beam fixture 2 colors segment shutter complete fixture Beam fixture 2 colors segment shutter inner zone Beam fixture 2 colors segment shutter outer ring Beam fixture 2 colors segment shutter off Beam fixture 2 colors segment shutter complete fixture Not used Static beams Foreground (pattern) Static rings foreground color (pattern) Static double rings foreground color (pattern)	000-000 001-001 002-002 003-003 004-004 005-005 006-006 007-007 008-008 009-010 011-033 034-038 039-043 044-052

			<p>Running effects - fixture inside and outside area Background color (main), foreground color (pattern) Color wheel emulation responds according to the selected color set - effect macro mode Layer 1 Pattern rings Pattern cake pieces small Pattern cake pieces big Pattern lines horizontally Pattern lines vertically Pattern lines diagonally Pattern propeller Pattern half / half vertical Pattern half / half horizontal Pattern half / half diagonal Pattern spiral Color spread effects</p> <p>Running Effects - Headlight inner area Background color (Main), Foreground color (Pattern / Pattern) Color wheel emulation responds according to the selected color set - effect macromode Layer 1 Pattern rings Pattern cake pieces small Pattern lines horizontally Pattern lines vertically Pattern lines diagonally Pattern propeller Pattern half / half vertical Pattern half / half horizontal Pattern half / half diagonal Pattern spiral Color spread effects</p> <p>Running effects - headlight outer ring Background color (main), foreground color (pattern) Color wheel emulation responds according to the selected color set - effect macromode layer 1 1 point is running 2 points are running 3 points are running Colors spread effects</p>	<p>053-059 060-069 070-079 080-086 087-093 094-107 108-114 115-116 117-118 119-122 123-129 130-138</p> <p>139-145 146-165 166-172 173-179 180-193 194-200 201-202 203-204 205-208 209-215 216-224</p> <p>225-245 246-248 249-251 252-255</p>
27	40	19	<p>Effect macro speed 1 Forward (fast -> slow) Backwards (slow -> fast)</p>	<p>000-127 128-255</p>
28	41		<p>Effect macro mode layer 2 Same assignment as effect macromode Layer 1</p>	<p>000-255</p>
29	42		<p>Effect macro layer 2 Same assignment as effect macro Layer 1</p>	<p>000-255</p>
30	43		<p>Effect macro speed 2 Same assignment as effect macro speed 1</p>	<p>000-255</p>
31	44	20	<p>Black body shift Off Minus green (-1% -> -100%) Neutral white Plus green (+1% -> +100%)</p>	<p>000-000 001-127 128-128 129-255</p>

32	45	21	Transition pixel mode	000-255
	46		Transition pixel mode fine 16Bit	000-255

Arrangement of LED groups 1-19 (Sparx 9)

The pan/tilt values are set to 0°/-77°; the display shows in the same direction as the LEDs.



Sparx 9

5.1.3 Colour mixing / CTO

The Sparx 9 has a colour wheel emulation channel, main RGBW, pattern RGBW, glow RGBW and a CTO channel. In order to survey the functions, they are allocated different priorities. The colour wheel channel has first priority over the main RGBW. You can only work with the RGBW colour mixtures if the colour wheel channel is set to DMX value 000. The RGBW glow channels are used to generate basic lighting in the lighting field and to then superimpose this with the RGBW. The spotlight always mixes the colours using RGB in the optimum combination of RGBW channels. The white channel can be used to generate pastel colours as soon as the RGB channel has a DMX value of less than 255.

The CTO channel can be used both in conjunction with the colour wheel emulation channel and with RGBW colour mixing. It depends on the base colour adjustment in which the spotlight is operated. -> PERSONALITY -> COLOR TEMP MODE. If a fixed colour temperature value is set, e.g. 6500K, the spotlight can be set to between 6500K and 2700K using the CTO channel. In the PERSONALITY -> COLOR TEMP MODE -> VARIABLE, the CTO channel can be used to set the spotlight to 2000K-20000K. The DMX values of the CT channel x 100 correspond to the colour value in Kelvin, DMX32 -> CTO 3200K. The CTO always runs on the black body line!

5.1.4 Control channel

The control channel can be used to switch various functions of the headlamp. The following functions can be switched.

Response of the headlamp when dimming via faders

COLOR MIX POWER LIMIT - Adjustment of total power consumption

CONSTANT COLOR MODE - Adjust color fidelity

CONSTANT BRIGHTNESS MODE - setting for constant brightness

CONSTANT BRIGHTNESS LIMIT - Setting the limit for constant regulation of the speed

BACKLIGHT MODE - Display backlight

DISPLAY ORIENTATION - Display orientation

MAIN SCREEN MODE - main screen view

USER FIXTURE ID SET - Set fixture number

USER WHITE POINT - Setting the color temperature of the "white LED"

BLACK BODY SHIFT - Adjustment +- green

DIMMER CURVE - Dimmer curve adjustment

RGBW CURVE - Setting the RGBW curve

PAN / TILT SPEED - pan / tilt speed

EFFECT SPEED - effect speed

FAN WHITE OPTION MODE - working optimized for noise or brightness

COOLING MODE - Adjust the fan volume and brightness

COLOR TEMP MODE - setting the color temperature

FAN MODE - Sets the basic volume in the selected COOLING MODE

CAMERA MODE - Sets the LED refresh rate

RESET - A basic reset of the headlight is performed

To enable uniform dimming manually via faders for all light mixing consoles, 5 different settings for the DMX smoothing are available. If the DMX signal is interrupted or too few packets are sent on some DMX consoles, this channel can be used to adjust the response of the headlamp. The Minimum DMX Smoothing setting should work on most popular consoles. The values for DMX smoothing must be permanent.

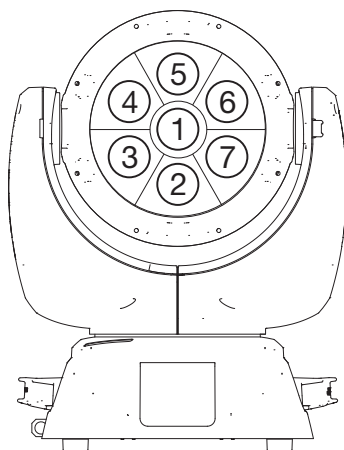
For the other values such as Cooling Mode, Color Temperature the values must be present for 2 seconds, then the device is permanently switched over. The exception is the setting of the COOLING-MODE, here it depends on the switch SAFE MODE SWITCH, if it is on OFF the COOLING-MODES can be switched directly, if this is ON the DIMMER and SHUTTER must get the DMX-value 0. Only then can be switched.

5.1.5 Sparkle / sparkle speed

This channel gives the Sparx 9 its name. This can be used to create unique effects in conjunction with the zoom and dimmer. Depending on the intensity, the lighting field is split into its base colours, i.e. the individual LEDs for full colours are dimmed in/out, mixed colours split into their base colours or the effect is performed with neutral colour depending on the sparkle speed channel's setting. The sparkle speed channel can also be used to select where the sparkle effect occurs, in the inner area, outer area or complete spotlight.

5.1.6 Pixel mode cross-fading (transition)

The pixel mode cross-fading channel can be used to switch or cross-fade between the internal effect engine and base functions, and real LED control. If this channel sends DMX value 255, the spotlight works at 100 % in individual LED control. The following channels for LED group 1-7 Sparx 9 - 28 channels can be added to any operation mode -> PERSONALITY -> PIXEL MODE and are used to control the individual LEDs, always in the sequence red, green, blue, white. The following illustrations show the arrangement of the LED groups when the spotlight is controlled in a standing position with PAN/TILT values 127/60 and the display shows in the same direction as the LEDs.



Sparx 9

5.2 Artnet

The spotlight can be controlled via Artnet - ArtNET 4. To do this, set the Artnet address via the menu item DMX / NET ADDR -> ARTNET ADDRESS and also select it via the menu item PERSONALITY -> DMX INPUT CONFIG -> NETWORK -> MODE -> ARTNET. In addition, define the IP address of the spotlight via PERSONALITY -> DMX INPUT CONFIG -> NETWORK -> IP ADDRESS. Further details and setting options can be found on page 17.

5.3 Streaming ACN

The headlight can be controlled via sACN - Streaming ACN. To do this, set the sACN address via the menu item DMX / NET ADDR -> SACN ADDRESS and also select it via the menu item PERSONALITY -> DMX INPUT CONFIG -> NETWORK -> MODE -> SACN. In addition, define the IP address of the spotlight via PERSONALITY -> DMX INPUT CONFIG -> NETWORK -> IP ADDRESS. Further details and setting options can be found on page 17.

5.4 Wireless-DMX

The Sparx 9 Profile is equipped with a Lumen Radio CRMX receiver for wireless DMX. The receiver can process both DMX and RDM. If there is a cable and wireless connection to the Sparx 9, the cable connection has priority! The received signal can be output via the DMX connection. To do this, set the DMX OUTPUT CONFIG setting to ON in the PERSONALITY menu. After confirming with ENTER, the spotlight will output the entire universe received via wireless DMX.

5.5 RDM

The Sparx 9 Profile can communicate via RDM (Remote Device Management) in accordance with ESTA American National Standard E1.20-2006. RDM is a bidirectional communication protocol for use in DMX512 control systems. It is the open standard for the configuration and status monitoring of DMX-512 devices. The RDM protocol enables data packets to be inserted into a DMX-512 data stream without affecting existing non-RDM devices. It enables a console or dedicated RDM controller to send commands to specific devices and receive messages. The Sparx 9 Profile can send and receive RDM via DMX and Artnet 4. The spotlight is also designed to send RDM via sACN and receive it via Artnet. The RDM functionality depends on the lighting control desk used, the operating instructions of the respective desk manufacturer must also be observed.

5.5.1 RDM-UID

Every Sparx 9 Profile has a factory-set RDM-UID (unique identification number), which makes it addressable and identifiable in RDM systems.

5.5.2 RDM-PIDs

The Sparx 9 Profile supports the RDM PIDs (parameter IDs) required by ESTA as well as manufacturer-specific PIDs.

5.5.3 Standard RDM parameter IDs

RDM-Parameter-ID	GET Befehl	SET Befehl	DISCO-VERY	Anmerkungen
RDM-Identifikation				
DISC_UNIQUE_BRANCH			✓	dient der Scheinwerferidentifikation
DISC_MUTE			✓	dient der Scheinwerferidentifikation
DISC_UN_MUTE			✓	dient der Scheinwerferidentifikation
RDM-Statusermittlung				
QUEUED_MESSAGE	✓			
STATUS_MESSAGES	✓			
STATUS_ID_DESCRIPTION	✓			
CLEAR_STATUS_ID		✓		
RDM-Information				
SUPPORTED_PARAMETERS	✓			
RDM-Konfiguration				
DEVICE_MODEL_DESCRIPTION	✓			
MANUFACTURER_LABEL	✓			
FACTORY_DEFAULTS		✓		
SOFTWARE_VERSION_LABEL	✓			
DMX_PERSONALITY		✓		
DMX_PERSONALITY_DESCRIPTION	✓			
DMX_START_ADDRESS		✓		
SENSOR_DEFINITION	✓			
DEVICE_HOURS	✓			
LAMP_HOURS	✓			
IDENTIFY_DEVICE		✓		
RESET_DEVICE		✓		
PERFORM_SELFTEST		✓		
SELFTEST_DESCRIPTION	✓			

5.5.4 Manufacturer specific RDM parameter IDs

RDM-Parameter-ID	GET Befehl	SET Befehl	DISCO-VERY	Anmerkungen
RDM-Konfiguration				
Battery Charge Hours	✓			
Error Number	✓			
Error	✓			
Select Next Error		✓		
Remove Error		✓		
Remove New Error Flag		✓		
User Defaults		✓		
User Fixture ID		✓		

Fixture Lock On/Off	✓	✓		
Dimmer Curve	✓	✓		
RGB Curve	✓	✓		
Camera Mode	✓	✓		
Cooling Mode	✓	✓		
Pan Tilt Speed	✓	✓		
Effect Speed	✓	✓		
Backlight Mode	✓	✓		
Disp Orientation	✓	✓		
Main Screen Mode	✓	✓		
Safe Mode Switch	✓	✓		
Beamshape	✓	✓		
Color Mix Power Limit	✓	✓		
Color Temperature Mode	✓	✓		
Constant Brightnes Limit	✓	✓		
Constant Brightness Mode	✓	✓		
Constant Color Mode	✓	✓		
Pixel Mode	✓	✓		
Zoom Mode	✓	✓		
User White Point	✓	✓		
Black Body Shift	✓	✓		
Fan Mode	✓	✓		
Fan White Option Mode	✓	✓		

5.5.5 RDM sensoren IDs

RDM-Sensor-ID	GET Befehl	SET Befehl	DISCO-VERY	Anmerkungen
RDM-Sensoren				
Temp Sens Base LCD	✓	✓		
Temp Sens Base PS	✓	✓		
Temp Sens Base AIR	✓	✓		
Temp Sens Head PCB	✓	✓		
Temp Sens Head DRV	✓	✓		
Temp Sens Head LED	✓	✓		

6. Service

6.1 Service menu

RESET FIXTURE

Upon the “Reset” command, the Sparx 9 will initialise to its initial values. It is the same procedure as after switching on the Sparx 9. If an error message appears in the display, this could be the first step to correct it.

ERROR LIST

The Sparx 9 stores all occurring errors internally. An error message can have a harmless cause. If you experience frequent error messages, please contact our authorised dealer or our JB-Lighting service department. All error messages are displayed with the respective frequency and can be deleted.

FUNCTION TEST

This function allows you to test all functions of the Sparx 9 without using a light mixer. The pan/tilt reset is deactivated in the process.

LED TEST

The Sparx 9 checks all LEDs individually to establish whether they are functioning. If an LED is faulty, this is indicated by an error message.

DMX TEST

This menu item is used to test the DMX input. Use the function keys to select the DMX channel to be tested. The display shows the incoming value and the Sparx 9 reacts accordingly at the same time.

INIT PAN TILT

The Sparx 9 is calibrated in the pan/tilt position at the factory. If it loses this calibration, i.e. the spotlight hits the stop or no longer finds its position or the pan/tilt boards had to be replaced, it can be re-initialised using this function. This process takes about 10 minutes and ends with a reset.

FINE ADJUST

The FINE ADJUST area is protected by a key combination. Focus, shapers, shaper rotation, pan and tilt are calibrated at the factory. If there are large deviations in the calibration between the individual headlights, this can be corrected in the FINE ADJUST menu. For more information please contact our service.

IDENTIFY DEVICE

The RDM command IDENTIFY DEVICE can be called up or deactivated via this menu item.

6.2 Cleaning the device



ATTENTION:

Disconnect the device from the mains and allow to cool for at least 10 minutes!
When looking directly into the light source, use welder's goggles with weakening 4-5!

You should check the function of the fans in the head and foot at regular intervals. Above all, make sure that the air intakes and the interior of the Sparx 9 are free of fluff and dust. Also make sure that the dust filters in the covers are clean.

To do this, open the fan cover on the head (6x Phillips head screws with bayonet fastener) and the base plate on the foot. You can now clean the Sparx 9 with a brush and a vacuum cleaner. Also vacuum the dust protection mats in the lids. If the dust protection mats are no longer clean, they must be replaced.

6.3 Software update

The Sparx 9 can be updated via a USB stick with micro-USB connection. To do this, copy the file directly into the root directory of the USB stick. Then press and hold the right key below the display and switch on the power. As soon as the message "Insert USB stick" appears on the display you can release the key. Now plug in the USB stick on the back of the device below the signal connections and follow the instructions on the display. The Sparx 9 completes the software update with a reset. You will find the latest software on our homepage.

6.4 Testing of electrical equipment

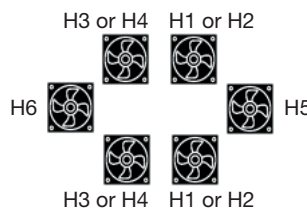
According to the German Social Accident Insurance (DGUV) Regulation 3 / Regulation 4, electrical systems and equipment must be subjected to regular inspections. The fixing screw of the DMX 5-pin socket can be used as measuring point for insulation and residual current measurement. The screw is connected to all sheet metal parts via a contact washer.



PE measuring point

7. Overview of error codes for all fixtures

PAN TIMEOUT	Pan	
TILT TIMEOUT	Tilt	
GOBO1 TIMEOUT	Gobo wheel 1 position	
GROT1 TIMEOUT	Gobo wheel 1 rotation	
GOBO2 TIMEOUT	Gobo wheel 2 position	
GROT2 TIMEOUT	Gobo wheel 2 rotation	
COLOR TIMEOUT	Color wheel	
CYAN TIMEOUT	Cyan	
MAGENT TIMEOUT	Magenta	
YELLOW TIMEOUT	Yellow	
CTC TIMEOUT	CTB / CTO	
IRIS TIMEOUT	Iris	
BLADEROT TIMEOUT	Blades Rotation	
BLADE1A TIMEOUT	Blade1A	
BLADE1B TIMEOUT	Blade1B	
BLADE2A TIMEOUT	Blade2A	
BLADE2B TIMEOUT	Blade2B	
BLADE3A TIMEOUT	Blade3A	
BLADE3B TIMEOUT	Blade3B	
BLADE4A TIMEOUT	Blade4A	
BLADE4B TIMEOUT	Blade4B	
ZOOM TIMEOUT	Zoom	
FOCUS TIMEOUT	Focus	
PRISM1 TIMEOUT	Prism 1 (linear)	
PRISM1ROT TIMEOUT	Prism 1 rotation	
PRISM2 TIMEOUT	Prism 2 (circular)	
PRISM2ROT TIMEOUT	Prism 2 rotation	
ANI TIMEOUT	Animation wheel	
ANIROT TIMEOUT	Animation wheel rotation	
FAN B1 ER	Error Fan Base 1	
FAN B2 ER	Error Fan Base 2	
FAN B3 ER	Error Fan Base Transformer	SPARX ONLY
FAN H1 ER	Error Fan Head 1	
FAN H2 ER	Error Fan Head 2	
FAN H3 ER	Error Fan Head 3	
FAN H4 ER	Error Fan Head 4	
FAN H5 ER	Error Fan Head 5	
FAN H6 ER	Error Fan Head 6	
FAN H7 ER	Fan Blades (P18) / CMY P12	



TSENS BPS ER	Sensor Error Base Power Supply AC/DC	
TSENS BLCD ER	Sensor Error Base LCD	
TSENS BAIR ER	Sensor Erroe Base Air	SPARX ONLY
TSENS HMAIN ER	Sensor Error Head Main PCB	
TSENS HDRV ER	Sensor Error Head LED Driver PCB	
TSENS HLED ER	Sensor Error Head LED	
TSENS HAIR ER	Sensor Error Head Air (Ambient)	
HIGH TEMP BLCD	High Temperature Base LCD PCB	
HIGH TEMP BAIR	High Temperatur Base Air (SPARX ONLY)	
HIGH TEMP BPS	High Temperature Base PSU AC/DC	
HIGH TEMP HMAIN	High Temperature Head Main PCB	
HIGH TMP HDRV	High Temperature Head LED Driver PCB	
HIGH TMP H LED	High Temperperature Head LED Module	
HIGH TEMP HEAD AIR	High Temperature Head Air (Ambient)	
CPU1 NOT RESPONDING	CPU Display PCB	
CPU2 NOT RESPONDING	CPU Pan/Tilt PCB	
CPU3 NOT RESPONDING	CPU Main Head PCB	
CPU4 NOT RESPONDING	CPU Main Head PCB: MK2 MAIN HEAD, P12 CMY, MK1 BLADES	
CPU5 NOT RESPONDING	CPU Blades PCB: MK1 LED DRIVER PCB	
CPU6 NOT RESPONDING	CPU LED Driver PCB: MK1 N.A.	

8. Specifications

Dimensions and weight

Width	331 mm
Depth	243 mm
Height	443 mm
Weight	9,8 kg

Electronic system

Mains connection	100-240 V AC, 50-60Hz
Maximum power consumption	max 50 VA
Power consumption in standby	40 VA

Temperature

Maximum ambient temperature	45 °C
Minimum ambient temperature	5 °C

Optics, Photometric Data

Light source	7 RGBW LEDs (40W class)
--------------	-------------------------

Effects

Pan	540.73°
Tilt	323.79°
Zoom	2,3° - 55°
Colour temperature	CTO, variable 12000K-2000K

Construction

Colour	black
Housing	PC ABS
Protection class	IP 20

Installation

Installation site	indoors
Holder	2x Omega brackets
Position	any
Minimum fixture distance to flammable objects	0,3 m
Minimum distance between the light emission and the surface to be illuminated	1,0 m

Connections

Power input	Neutrik powerCON TRUE1 IN
Power feed-through	Neutrik powerCON TRUE1 OUT
DMX in / out USITT DMX512	5-pin XLR
Ethernet	2x Neutrik etherCON
Micro-USB	Software update

9. Declaration of Conformity**Declaration of Conformity**

as defined by Directive: 2014/35/EU Low Voltage Directive,
(Directive 2014/35/EU of the European Parliament and of the Council of 26/02/2014 to approximate the laws of the Member States relating to electrical equipment designed for use within certain voltage limits)

as defined by Directive: 2014/30/EU Electromagnetic compatibility,
(Directive 2014/30/EU of the European Parliament and of the Council of 26/02/2014 to approximate the laws of the Member States relating to electromagnetic compatibility)

The manufacturer, **JB-Lighting Lichtenlagentechnik GmbH**
Sallersteigweg 15
89134 Blaustein-Wippingen

declares that the product: **Sparx 9**

complies with the essential protection requirements of the directives. The following standards were used for conformity assessment:

Emissions requirements in accordance with EN 55022:2010**Conducted interference emission**

EN 55022:2010

Radiation

EN 55022:2010

Harmonic currents

EN 61000-3-2:2015

Flicker

EN 61000-3-3:2013

Information technology equipment, radio interference characteristics - Limit values and measuring methods - Limit value class A

Information technology equipment, radio interference characteristics - Limit values and measuring methods - Limit value class A

Information technology equipment, radio interference characteristics - Limit values and measuring methods - Limit value class A

Electromagnetic compatibility

Part 3-2: Limits, testing of harmonic currents (for devices with an input current < 16A per phase)

Electromagnetic compatibility (EMC)

Part 3-3: Limits, limitation of voltage changes, voltage fluctuations and flicker in low-voltage networks (for devices with an input current < 16A per phase)

Immunity - requirements in accordance with EN 61000-6-2:2005

EN 61000-4-2:2009

EN 61000-4-3:2006 +A1:2008 +A2:2010

EN 61000-4-4:2012

EN 61000-4-5:2006

EN 61000-4-6:2014

EN 61000-4-8:2010

EN 61000-4-11:2004

Electromagnetic compatibility (EMC) - Part 6-2: Generic standard - Immunity in industrial areas

Part 4-2: Immunity to static electricity discharge

Part 4-3: Immunity to high-frequency electromagnetic fields

Part 4-4: Immunity against fast transient electrical disturbances (burst)

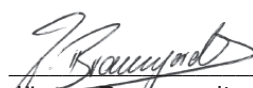
Part 4-5: Interference voltages against surge voltages

Part 4-6: Immunity to conducted disturbances, induced by HF

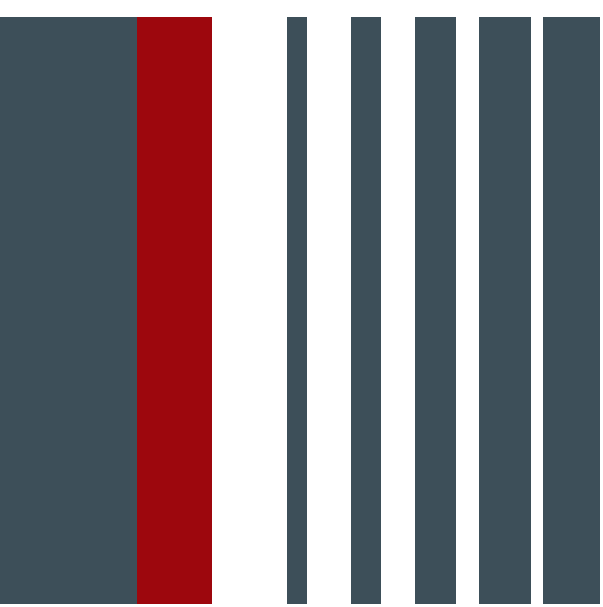
Part 4-8: Immunity to magnetic fields with power technology frequencies

Part 4-11: Immunity against voltage dips, short-term interruptions and voltage fluctuations

Blaustein, 15/03/2024



Jürgen Braungardt
CEO



JB-Lighting Lichtanlagentechnik GmbH
Sallersteig 15
89134 Blaustein
Tel. +49 7304 9617-0
Fax. +49 7304 9617-99
info@jb-lighting.de
www.jb-lighting.de

JB LIGHTING
